



## ROOF MOUNTED FANS

# HGTT-V Series, Axial Flow Fans



Range of roof mounted axial flow fans, with vertical air discharge configuration, for air extract. Casing formed from rolled sheet steel welded on the base with a corrosion resistant hot dipped galvanized finish.

High grade die-cast aluminum blades locked within a pressed sheet steel hub.

Backdraft shutter and bird proof outlet. Cylindrical casing formed from rolled sheet steel protected against corrosion by grey polyester paint coating.

### Motors

- HGTT-V: Three-phase 4 pole motors 400V 50Hz, IP55, class F insulation
- Electrical isolator fitted to fan casing  
Three phase 230/400V-50Hz up to 3 kW.  
Three phase 400V-50Hz, for higher power motors and two speed motors.  
(See characteristics chart).

### Additional Information

Standard air direction: form A) configuration (Motor over impeller).

### On request

- 6 pole motors.
- 2 speed motors 4/6 and 4/8 poles.

HGTT-V

Roof mounted fans

## APPLICATIONS



Parkings

### Isolator



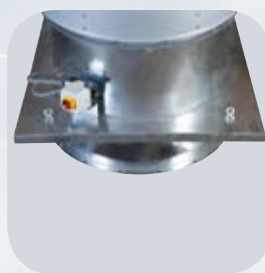
Electrical isolator.

### Outlet guard



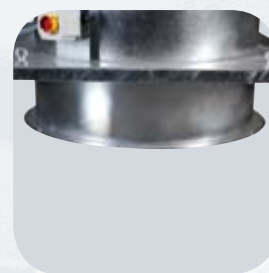
Outlet guard protection.

### Support base



Base for roof installation.

### Inlet flange



Flange for duct connection or bellmouth inlet.

### Web support



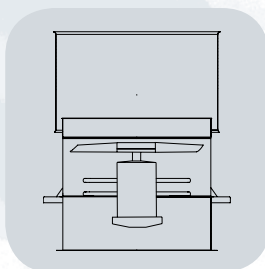
To strengthen base support.  
Model 1250 only.

### Back draft shutter



Prevent back draft of air and entrance of rain water when the fan is switched off.

### Form (A) configuration



Standard air direction: form (A) configuration (Motor over impeller).



## ■ Technical characteristics

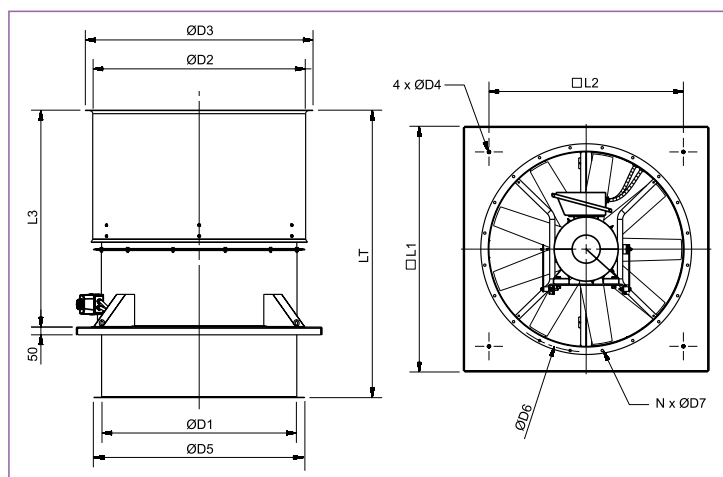
Before installation check that the product electrical characteristics listed on the data plate label (Voltage, power, frequency etc) match those of the intended electrical supply.

Model	Motor Power (kW)	Full Load current (A)		Weight (kg)	Model	Motor Power (kW)	Full Load current (A)		Weight (kg)
		230V	400V				230V	400V	
HGTT-V/4-800-3/-1,1	1,1	4,2	2,4	165	HGTT-V/4-1000-6/-4	4	-	8,6	228
HGTT-V/4-800-3/-1,5	1,5	5,5	3,2	168	HGTT-V/4-1000-6/-5,5	5,5	-	11,1	241
HGTT-V/4-800-3/-2,2	2,2	8,3	4,8	173	HGTT-V/4-1000-6/-7,5	7,5	-	14,8	249
HGTT-V/4-800-3/-3	3	11,3	6,5	176	HGTT-V/4-1000-6/-11	11	-	22,6	273
HGTT-V/4-800-3/-4	4	-	8,6	179	HGTT-V/4-1000-6/-15	15	-	28,5	288
HGTT-V/4-800-3/-5,5	5,5	-	11,1	192	HGTT-V/4-1000-6/-18,5	18,5	-	35	335
HGTT-V/4-800-6/-1,5	1,5	5,5	3,2	171	HGTT-V/4-1000-6/-22	22	-	41	350
HGTT-V/4-800-6/-2,2	2,2	8,3	4,8	176	HGTT-V/4-1000-9/-5,5	5,5	-	11,1	246
HGTT-V/4-800-6/-3	3	11,3	6,5	179	HGTT-V/4-1000-9/-7,5	7,5	-	14,8	254
HGTT-V/4-800-6/-4	4	-	8,6	182	HGTT-V/4-1000-9/-11	11	-	22,6	278
HGTT-V/4-800-6/-5,5	5,5	-	11,1	195	HGTT-V/4-1000-9/-15	15	-	28,5	293
HGTT-V/4-800-6/-7,5	7,5	-	14,8	203	HGTT-V/4-1000-9/-18,5	18,5	-	35	340
HGTT-V/4-800-9/-2,2	2,2	8,3	4,8	180	HGTT-V/4-1000-9/-22	22	-	41	355
HGTT-V/4-800-9/-3	3	11,3	6,5	183	HGTT-V/4-1000-9/-30	30	-	55	398
HGTT-V/4-800-9/-4	4	-	8,6	186	HGTT-V/4-1250-6/-15	15	-	28,5	409
HGTT-V/4-800-9/-5,5	5,5	-	11,1	199	HGTT-V/4-1250-6/-18,5	18,5	-	35	456
HGTT-V/4-800-9/-7,5	7,5	-	14,8	207	HGTT-V/4-1250-6/-22	22	-	41	471
HGTT-V/4-900-6/-3	3	11,3	6,5	210	HGTT-V/4-1250-6/-30	30	-	55	514
HGTT-V/4-900-6/-4	4	-	8,6	213	HGTT-V/4-1250-6/-37	37	-	68	547
HGTT-V/4-900-6/-5,5	5,5	-	11,1	226	HGTT-V/4-1250-9/-15	15	-	28,5	415
HGTT-V/4-900-6/-7,5	7,5	-	14,8	234	HGTT-V/4-1250-9/-18,5	18,5	-	35	462
HGTT-V/4-900-6/-11	11	-	22,6	258	HGTT-V/4-1250-9/-22	22	-	41	477
HGTT-V/4-900-6/-15	15	-	28,5	273	HGTT-V/4-1250-9/-30	30	-	55	520
HGTT-V/4-900-9/-4	4	-	8,6	217	HGTT-V/4-1250-9/-37	37	-	68	553
HGTT-V/4-900-9/-5,5	5,5	-	11,1	230					
HGTT-V/4-900-9/-7,5	7,5	-	14,8	238					
HGTT-V/4-900-9/-11	11	-	22,6	262					
HGTT-V/4-900-9/-15	15	-	28,5	277					
HGTT-V/4-900-9/-18,5	18,5	-	35	324					

HGTT-V

Roof mounted fans

## ■ Dimensions (mm)

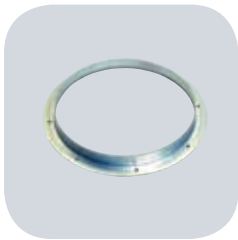


HGTT-V	D1	D2	D3	D4	D5	D6	D7	N	L1	L2	L3	LT
800	800	912	1012	14	890	860	12	16	1100	840	1015	1198
900	900	1013	1113	14	1005	970	15	16	1250	950	1135	1463
1000	1000	1113	1213	14	1105	1070	15	16	1270	950	1215	1543
1250	1250	1364	1464	16	1355	1320	15	20	1580	1250	1394	1848

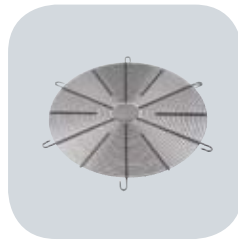


## ■ Mounting accessories

Model	Matching Flange	Inlet bellmouth	Flexible connector	Inlet guard	Circular sound attenuator	Attenuator with acoustic pod
800	ARO BRIDA TGT/ THGT- 800	EMB- 800T	ACOPEL F400-800/300	DEF. ASP. THGT- 800	SIL CZ 800	SIL CZO 800
900	ARO BRIDA TGT/ THGT- 900	EMB- 900T	ACOPEL F400-900/300	DEF. ASP. THGT- 900	SIL CZ 900	SIL CZO 900
1000	ARO BRIDA TGT/ THGT- 1000	EMB- 1000T	ACOPEL F400-1000/300	DEF. ASP. THGT- 1000	SIL CZ 1000	SIL CZO 1000
1250	ARO BRIDA TGT/ THGT- 1250	EMB- 1250T	ACOPEL F400-1250/300	DEF. ASP. THGT- 1250	SIL CZ 1250	SIL CZO 1250



**ARO BRIDA  
TGT/THGT**  
Matching flange



**DEF.ASP.THGT**  
Inlet guard



**SIL CZ**  
Circular silencer



**ACOPEL F400**  
Flexible connection



**EMB**  
Bellmouth with  
guard



**SIL CZO**  
Circular silencer  
with pod

For more information see **MOUNTING ACCESSORIES**.

To check the curves from HGTT-V product range, please refer to pages HGTT-V curves.

